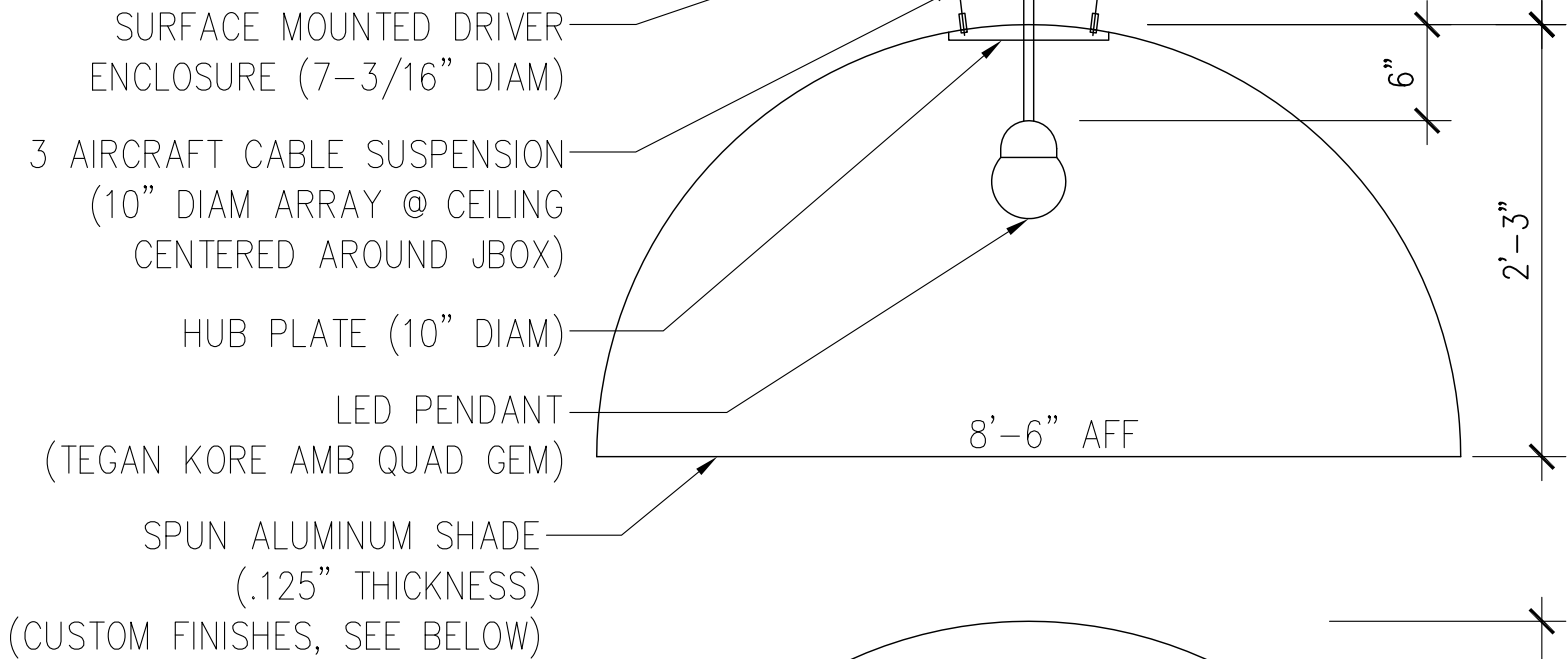


HEMISPHERE PENDANT – 54" DIAMETER LED

SCALE – 1" = 1'-0"

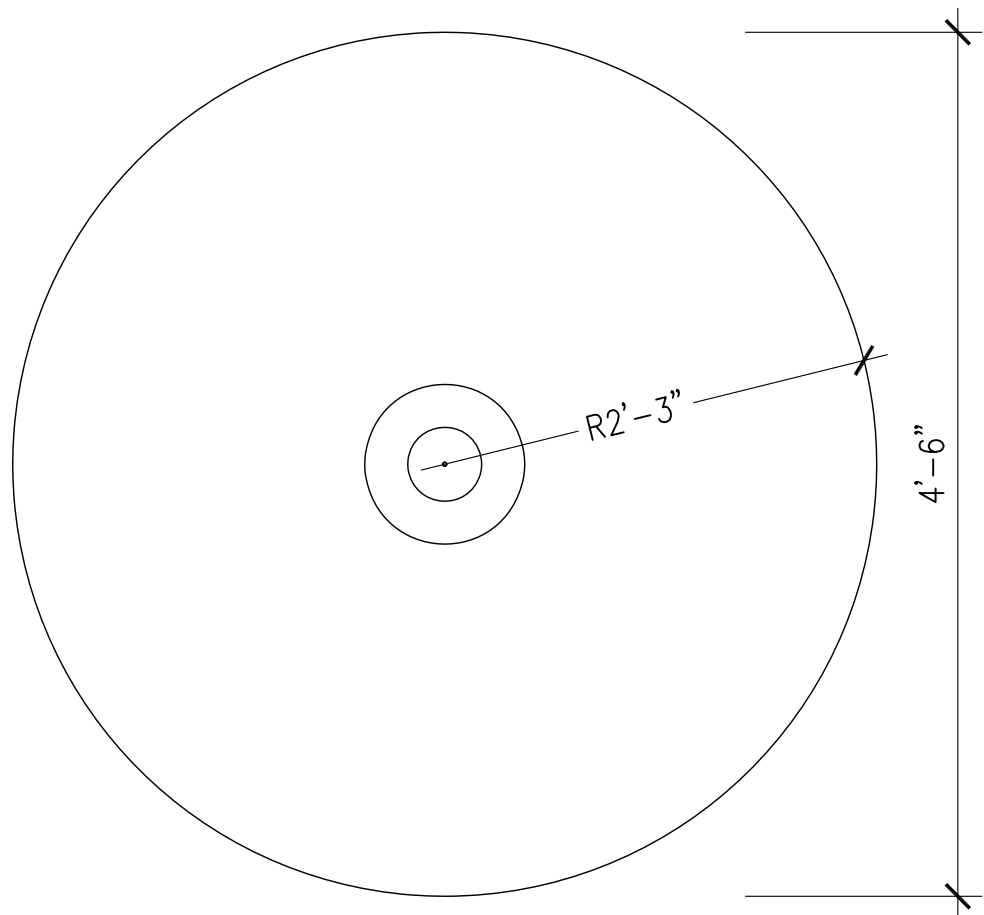
SIDE VIEW



VIEW FROM BELOW

SHADE EXTERIOR FINISH:
BLACK POWDERCOAT, MATTE

SHADE INTERIOR FINISH:
MILL FINISH ALUMINUM, OILED

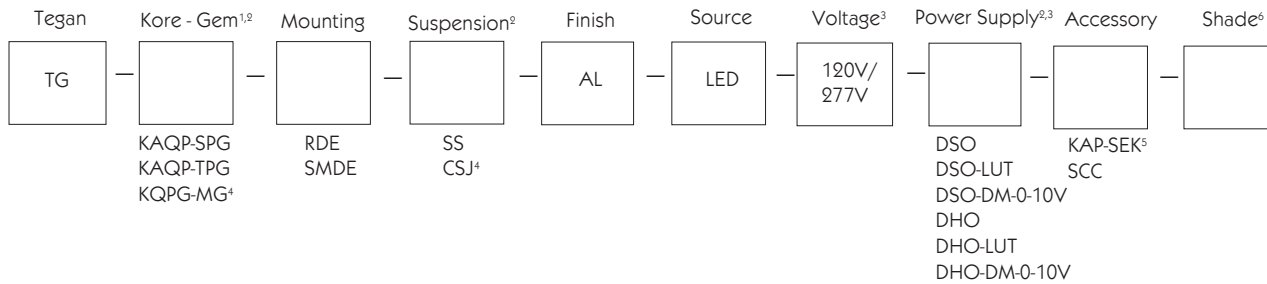




- Category:** The Kore LED Ambient Quadrant Pendant features a highly intricate modular design with radiant fins and sculpted contours seamlessly integrating into the Sphere or Tapered Gems. The Sphere Gem provides a uniform, luminous, omnidirectional distribution. The Tapered GEM is a dual layered cylinder with a frosted center and clear perimeter providing a uniform, luminous distribution.
- Material:** Kore Ambient Quadrant Pendant - Aluminum and steel. Sphere Gem: Frosted glass. Tapered Gem: Dual layered cylinder with a frosted center and clear perimeter. Aluminum and steel canopy and recessed driver enclosure with field-cuttable Clear SJ cord or aluminum stem suspension.
- Suspension/ Mounting:** Recessed Driver Enclosure (RDE) or Surface Mount Driver Enclosure (SMDE) with field-cuttable 6' (2m) Stem (SS) with swivel canopy that will accommodate up to 35° (total) adjustment for all shade options or no shade, or field-cuttable Clear SJ Cord (CSJ). (CSJ) only with Zia shade, (SS) only with Moz Slot or Moz Weave shades. Contact factory for ceiling mount.
- Kore/Gem:** Kore Ambient Quadrant Pendant with Sphere Gem (KAQP-SPG), Kore Ambient Quadrant Pendant with Tapered Gem (KAQP-TPG), Kore Ambient - Quadrant Pendant with Mini Gem (KAQP-MG). NOTE: Sphere Gem is recommended for use with all shades with a bottom lens, Mini Gem is used with all Zia shades.
- Shade:** Kore LED Ambient Modular Pendants can be specified alone or with a wide variety of Shades. Kore Ambient Pendants are modular and are specified separately from the Shades, but are designed to easily attach. Refer to the shade links and matrix on page 4 to specify a luminaire with shade.
- Source:** LED -Standard Output - 15W @ 900 Lumens, LED High Output - 35W @ 2100 Lumens with 80-85 CRI typical. All values are initial lumens. For exact lumen output and wattage consumption data, please consult LM79 reports. Online power consumption does not include driver losses. Contact factory for 3500K, 4000K or 90 CRI.
- Optics:** Refer to [Photometric Report](#) for details.
- Power Supply:** Standard Output Non-Dimming Driver 120/277V (DSO), Standard Output Dimming Driver 0-10V 120/277V (DSO-DM-0-10V), Standard Output Non-Dimming/Dimming Driver - Lutron 120/277V (DSO-LUT), High Output Non-Dimming Driver 120/277V (DHO), High Output Dimming Driver 0-10V 120/277V (DHO-DM-0-10V), High Output Non-Dimming/Dimming Driver - Lutron 120/277V (DHO-LUT). Refer to Driver table on page 2 for details.
- Installation:** Refer to [Installation Sheet](#) for more details.
- Accessories:** Kore Ambient Pendant Stem Extension Kit (KAP-SEK); field-cuttable up to 12' max.; contact factory for longer lengths; Sloped Ceiling Canopy (SCC); Emergency Battery Back-Up - Contact factory.
- Labels:** CSA listed – Tested to USA UL/ANSI standards #8750 and #1598 and Canadian standards CSA C22.2, # 250.0-08 & #250.13-12. Interior applications only. LM79/80. Contact Factory for IP65. In a continuing effort to offer the best product possible we reserve the right to change, without notice, specifications or materials. Technical specification sheets that appear on [teganlighting.com](#) are the most recent version and supersede all other versions that exist in any other printed or electronic form. 3 Year Warranty.



Example: TG - KAQP - SPG - RDE - SS - AL - LED - 120V - DSO



Notes:

- ¹ Shades are specified separately from the Kore LED Ambient Quadrant Pendant but are designed to easily attach.
- ² Select one.
- ³ Refer to Driver table on below for details.
- ⁴ Only Kore Ambient Mini Gem (KAQP-MG) and Clear SJ Cord (CSJ) specified with Zia shade. Only Stem (SS) specified with Moz Slot or Moz Weave shades.
- ⁵ 12' - 0" maximum. Contact Factory for longer lengths.
- ⁶ Leave blank or add shade catalog number when specifying a luminaire with shade. Refer to the compatibility chart on page 4.

Kore LED Ambient Quadrant Pendant - Drivers

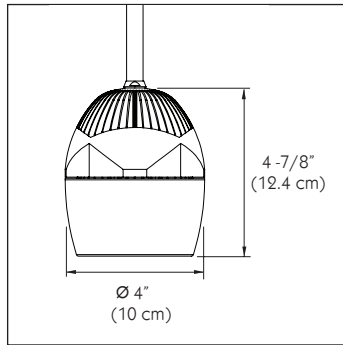
Description	Tegan Power Supply Catalog #	Voltage	Dimming	Typical Driver Link ^{1,2,3}
Kore Quadrant - LED - Standard Output Driver	DSO	120/277V	Non-DM	Thomas LED25W-56-C0450-D
Kore Quadrant - LED - Standard Output Driver - Lutron	DSO-LUT	120/277V	Non-DM/DM	Lutron L3DA4U1UKS
Kore Quadrant - LED - Standard Output Dimming Driver - 0-10V	DSO-DM-0-10V	120/277V	DM	Thomas LED25W-56-C0450-D
Kore Quadrant - LED - High Output Driver	DHO	120/277V	Non-DM	Thomas LED40W-045-C0900-M-D
Kore Quadrant - LED - High Output Driver - Lutron	DHO-LUT	120/277V	Non-DM/DM	Lutron L3DA4U1UKS
Kore Quadrant - LED - High Output Dimming Driver - 0-10V	DHO-DM-0-10V	120/277V	DM	Thomas LED40W-045-C0900-M-D

Notes:

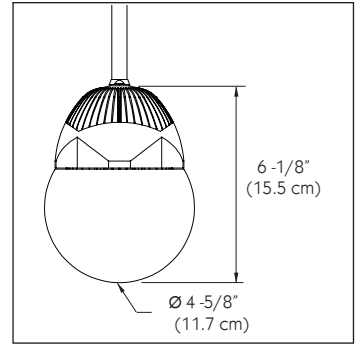
- ¹ Refer to manufacturer's spec sheets for compatible controls and additional detail.
- ² Due to the rapidly evolving technology for Semiconductor products, Tegan driver options are subject to change at any time, without notice. In addition, if any of the standard drivers are out of stock or discontinued, Tegan Lighting will supply an equal as needed. Tegan can also supply alternative drivers upon request; contact the factory for details.
- ³ Tegan LED emitters, like all LEDs, undergo a natural depreciation in lumen output. This depreciation is within the specifications of LM-80. Extreme ambient temperatures, dusty environments, and power conditions may affect the depreciation. Wattage requirements and lumen output are subject to change with ongoing developments in LED technology.
- ⁴ Contact factory for Advance drivers.



Kore LED Ambient - Quadrant

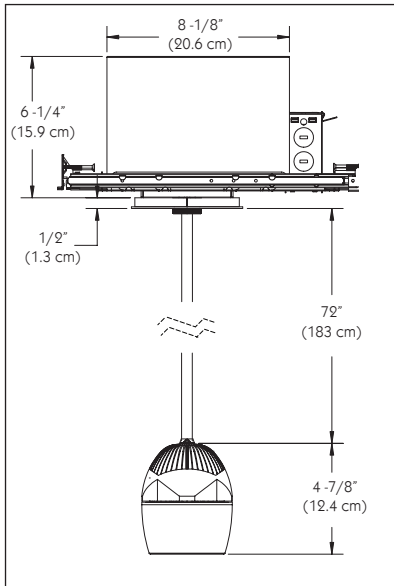


Kore LED Ambient - Quadrant with Tapered Gem (KAQP-TPG)

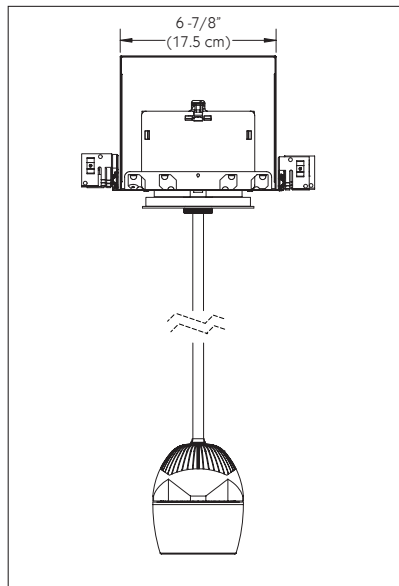


Kore LED Ambient - Quadrant with Sphere Gem (KAQP-SPG)

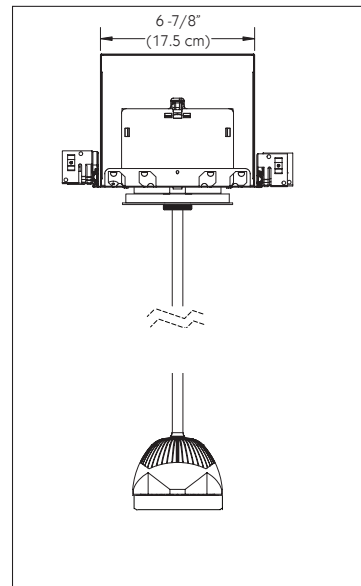
Kore LED Ambient - Quadrant - Drawing Details



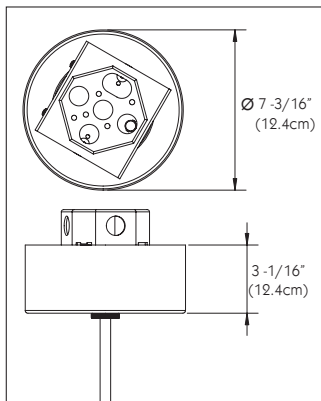
Kore LED Ambient Quadrant Pendant with Tapered Gem and Recessed Driver Enclosure (KAQP-TPG-RDE) - Elevation View



Kore LED Ambient Quadrant Pendant with Tapered Gem and Recessed Driver Enclosure (KAQP-TPG-RDE) - Section View



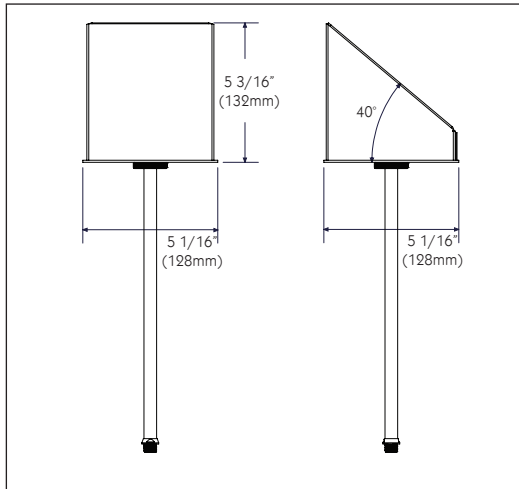
Kore LED Ambient Quadrant Pendant with Mini Gem (for Zia Shades only) and Recessed Driver Enclosure (KAQP-MG-RDE) - Section View



Kore Ambient Surface Mount Driver Enclosure - Aluminum (SMDE-AL)



Kore LED Ambient - Quadrant - Accessories



Kore Ambient Pendant - Sloped Ceiling Canopy (SCC); Elevation (left) and Section (right) views.

Kore LED Ambient Quadrant Pendant - Shade Options & Compatibility

	Labyrinth Orb Shade	Labyrinth Cylinder/ Cuboid Shade	Moz Weave Drum Shade	Moz Slot Drum Shade	Noor Drum/ Square Shade	Zia Shade	Acoustic BUZZISHADE
Kore LED Ambient - Quadrant - Tapered Gem (KAQP-TPG)	Spec Sheet 52	Spec Sheet 53	Spec Sheet 56	Spec Sheet 54	Spec Sheet 58		Spec Sheet 65
Kore LED Ambient - Quadrant - Sphere Gem (KAQP-SPG) or Mini Gem for Zia (KAQP-MG)	Spec Sheet 52	Spec Sheet 53	Spec Sheet 56	Spec Sheet 54	Spec Sheet 58	Spec Sheet 59	Spec Sheet 65
Example catalog # to specify a luminaire with a shade	TG-KAQP-SPG-SS-AL-LED-120V-DSO-LB-O-18-N	TG-KAQP-SPG-SS-AL-LED-120V-DSO-LB-CB-16-N	TG-KAQP-SPG-SS-AL-LED-120V-DSO-SLW24-OPSS	TG-KAQP-SPG-SS-AL-LED-120V-DSO-WCD24-DLT-BTL	TG-KAQP-SPG-SS-AL-LED-120V-DSO-NRD24-FR-TPL	TG-KAQP-MG-SS-AL-LED-120V-DSO-Z18-N	TG-KAQP-SPG-RDE-SS-AS-M

